

04

Cylinders

Festo Cylinders and Guide Units, Cylinder Mountings, Mounting Kits



FESTO

Cylinders & Guide Units

04

- Standard cylinders to ISO 15552
- Standard cylinders to ISO 21287
- Standard cylinders to ISO 6432, DIN ISO 6432
- Guide units and guided cylinders

Standard Cylinders per ISO 21287

Type ADNP Standard Cylinder

Polymer End Cap
ISO 21287



- Compact cylinder with ISO standard dimensions
- Stroke lengths from 5 mm to 80 mm
- Innovative technology for maximum speeds
- Polymer end caps with integrated fittings — faster, lighter and low cost
- Flexible in use thanks to customised variants
- Emergency cylinder assembly service available

PGC: 305	Diameter (mm)	Width (mm)	Port Size (mm)	Price
ADNP-20-5-I-P-A	20	5	4	£33.30
ADNP-20-10-I-P-A	20	10	4	£33.69
ADNP-20-15-I-P-A	20	15	4	£34.17
ADNP-20-20-I-P-A	20	20	4	£34.66
ADNP-20-25-I-P-A	20	25	4	£35.15
ADNP-20-30-I-P-A	20	30	4	£35.51
ADNP-20-40-I-P-A	20	40	4	£36.49
ADNP-20-50-I-P-A	20	50	4	£37.36
ADNP-20-60-I-P-A	20	60	4	£38.23
ADNP-25-5-I-P-A	25	5	4	£37.61
ADNP-25-10-I-P-A	25	10	4	£38.46
ADNP-25-15-I-P-A	25	15	4	£39.21
ADNP-25-20-I-P-A	25	20	4	£39.95
ADNP-25-25-I-P-A	25	25	4	£40.80
ADNP-25-30-I-P-A	25	30	4	£41.54
ADNP-25-40-I-P-A	25	40	4	£43.03
ADNP-25-50-I-P-A	25	50	4	£44.62
ADNP-25-60-I-P-A	25	60	4	£46.23
ADNP-32-10-I-P-A	32	10	6	£41.78
ADNP-32-15-I-P-A	32	15	6	£43.14
ADNP-32-20-I-P-A	32	20	6	£44.50
ADNP-32-25-I-P-A	32	25	6	£45.71
ADNP-32-30-I-P-A	32	30	6	£47.07

PGC: 305	Diameter (mm)	Width (mm)	Port Size (mm)	Price
ADNP-32-40-I-P-A	32	40	6	£49.67
ADNP-32-50-I-P-A	32	50	6	£52.35
ADNP-32-60-I-P-A	32	60	6	£54.94
ADNP-32-80-I-P-A	32	80	6	£60.10
ADNP-40-10-I-P-A	40	10	6	£56.40
ADNP-40-15-I-P-A	40	15	6	£57.90
ADNP-40-20-I-P-A	40	20	6	£59.36
ADNP-40-25-I-P-A	40	25	6	£60.83
ADNP-40-30-I-P-A	40	30	6	£62.31
ADNP-40-40-I-P-A	40	40	6	£65.26
ADNP-40-50-I-P-A	40	50	6	£68.21
ADNP-40-60-I-P-A	40	60	6	£71.04
ADNP-40-80-I-P-A	40	80	6	£76.94
ADNP-50-10-I-P-A	50	10	6	£65.99
ADNP-50-15-I-P-A	50	15	6	£67.72
ADNP-50-20-I-P-A	50	20	6	£69.33
ADNP-50-25-I-P-A	50	25	6	£71.04
ADNP-50-30-I-P-A	50	30	6	£72.77
ADNP-50-40-I-P-A	50	40	6	£76.08
ADNP-50-50-I-P-A	50	50	6	£79.40
ADNP-50-60-I-P-A	50	60	6	£82.72
ADNP-50-80-I-P-A	50	80	6	£89.48

Standard Cylinders per ISO 15552

Type DNCB Standard Cylinder ISO 15552



- Sturdy and economical for all standard tasks
- Superior operating characteristics and service life
- High performance piston system
- Air connections and profile slot for proximity sensors on one side
- Comprehensive range of accessories
- Emergency cylinder assembly service available

PGC: 305	Diameter (mm)	Width (mm)	Thread	Price
DNCB-32-25-PPV-A	32	25	G1/8	£114.48
DNCB-32-40-PPV-A	32	40	G1/8	£115.33
DNCB-32-50-PPV-A	32	50	G1/8	£115.90
DNCB-32-80-PPV-A	32	80	G1/8	£117.58
DNCB-32-100-PPV-A	32	100	G1/8	£118.72
DNCB-32-125-PPV-A	32	125	G1/8	£119.93
DNCB-32-160-PPV-A	32	160	G1/8	£122.11
DNCB-32-200-PPV-A	32	200	G1/8	£124.36
DNCB-32-250-PPV-A	32	250	G1/8	£127.19
DNCB-32-320-PPV-A	32	320	G1/8	£131.15
DNCB-32-400-PPV-A	32	400	G1/8	£135.68
DNCB-32-500-PPV-A	32	500	G1/8	£141.34
DNCB-40-25-PPV-A	40	25	G1/4	£129.17
DNCB-40-40-PPV-A	40	40	G1/4	£130.25
DNCB-40-50-PPV-A	40	50	G1/4	£130.97
DNCB-40-80-PPV-A	40	80	G1/4	£133.15
DNCB-40-100-PPV-A	40	100	G1/4	£134.59
DNCB-40-125-PPV-A	40	125	G1/4	£136.39
DNCB-40-160-PPV-A	40	160	G1/4	£138.93
DNCB-40-200-PPV-A	40	200	G1/4	£141.81
DNCB-40-250-PPV-A	40	250	G1/4	£145.44
DNCB-40-320-PPV-A	40	320	G1/4	£150.49
DNCB-40-400-PPV-A	40	400	G1/4	£156.26
DNCB-40-500-PPV-A	40	500	G1/4	£163.49
DNCB-50-25-PPV-A	50	25	G1/4	£148.63
DNCB-50-40-PPV-A	50	40	G1/4	£150.10
DNCB-50-50-PPV-A	50	50	G1/4	£151.07
DNCB-50-80-PPV-A	50	80	G1/4	£153.99
DNCB-50-100-PPV-A	50	100	G1/4	£155.94
DNCB-50-125-PPV-A	50	125	G1/4	£158.36
DNCB-50-160-PPV-A	50	160	G1/4	£161.78
DNCB-50-200-PPV-A	50	200	G1/4	£165.71
DNCB-50-250-PPV-A	50	250	G1/4	£170.55
DNCB-50-320-PPV-A	50	320	G1/4	£177.36
DNCB-50-400-PPV-A	50	400	G1/4	£185.16
DNCB-50-500-PPV-A	50	500	G1/4	£194.90

PGC: 305	Diameter (mm)	Width (mm)	Thread	Price
DNCB-63-25-PPV-A	63	25	G3/8	£174.55
DNCB-63-40-PPV-A	63	40	G3/8	£176.21
DNCB-63-50-PPV-A	63	50	G3/8	£177.30
DNCB-63-80-PPV-A	63	80	G3/8	£180.60
DNCB-63-100-PPV-A	63	100	G3/8	£182.81
DNCB-63-125-PPV-A	63	125	G3/8	£185.56
DNCB-63-160-PPV-A	63	160	G3/8	£189.40
DNCB-63-200-PPV-A	63	200	G3/8	£193.79
DNCB-63-250-PPV-A	63	250	G3/8	£198.29
DNCB-63-320-PPV-A	63	320	G3/8	£206.99
DNCB-63-400-PPV-A	63	400	G3/8	£215.77
DNCB-63-500-PPV-A	63	500	G3/8	£226.78
DNCB-80-25-PPV-A	80	25	G3/8	£231.08
DNCB-80-40-PPV-A	80	40	G3/8	£233.25
DNCB-80-50-PPV-A	80	50	G3/8	£234.79
DNCB-80-80-PPV-A	80	80	G3/8	£238.29
DNCB-80-100-PPV-A	80	100	G3/8	£242.31
DNCB-80-125-PPV-A	80	125	G3/8	£246.09
DNCB-80-160-PPV-A	80	160	G3/8	£251.35
DNCB-80-200-PPV-A	80	200	G3/8	£257.38
DNCB-80-250-PPV-A	80	250	G3/8	£264.94
DNCB-80-320-PPV-A	80	320	G3/8	£275.47
DNCB-80-400-PPV-A	80	400	G3/8	£287.53
DNCB-80-500-PPV-A	80	500	G3/8	£302.62
DNCB-100-25-PPV-A	100	25	G3/8	£308.47
DNCB-100-40-PPV-A	100	40	G3/8	£311.13
DNCB-100-50-PPV-A	100	50	G3/8	£312.90
DNCB-100-80-PPV-A	100	80	G3/8	£318.24
DNCB-100-100-PPV-A	100	100	G3/8	£321.78
DNCB-100-125-PPV-A	100	125	G3/8	£326.22
DNCB-100-160-PPV-A	100	160	G3/8	£332.43
DNCB-100-200-PPV-A	100	200	G3/8	£339.53
DNCB-100-250-PPV-A	100	250	G3/8	£348.41
DNCB-100-320-PPV-A	100	320	G3/8	£360.82
DNCB-100-400-PPV-A	100	400	G3/8	£375.01
DNCB-100-500-PPV-A	100	500	G3/8	£392.77

Self-adapting PPS cushioning round cylinder DSNU

FESTO

04



More economical: round cylinder DSNU with self-adapting pneumatic cushioning - PPS for short.

Faster and smoother

The PPS enables a dynamic yet gentle movement to the end position without manual adjustment of the cylinder.

More convenient and time saving

It is no longer necessary to adjust the cushioning on the DSNU with PPS. It reduces installation time and simplifies assembly. It offers especially OEMs a very interesting alternative to reduce cycle times.

Self-adapting

The self-adapting system guarantees optimum cushioning, even with changing loads and / or speed. This means that the cushioning for all DSNUs is the same under all circumstances. And, importantly tampering is eliminated.



Reduced installation time

Self-adapting

Soft stopping

Self-adapting PPS cushioning round cylinder DSNU

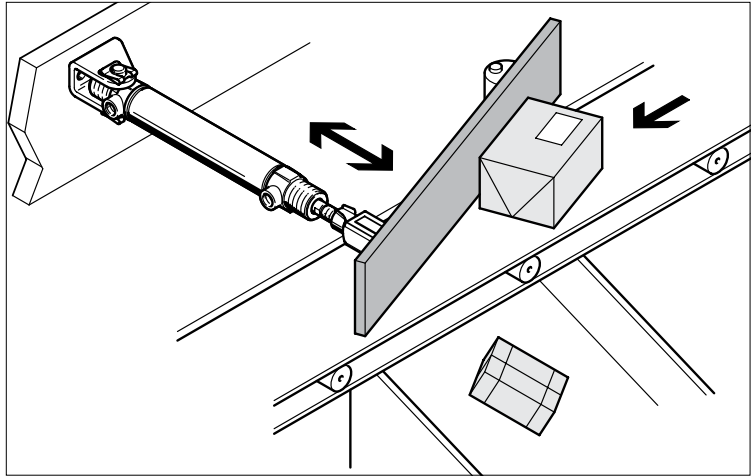
04

Savings potential thanks to PPS cushioning – an example

A system for sorting packages consists of 60 stations each with a DSNU round cylinder. A total of 60 cylinders are used.

Assembly and setting are reduced by up to 5 minutes per cylinder.

This results in a savings potential of 300 minutes or 5 working hours for the 60 cylinders.



The DSNU-PPS range

- Diameters 16, 20, 25, 32, 40, 50, 63 mm (double-acting cylinders)
- X strokes 1 to 500 mm
- DSNU basic cylinder:
 - Bearing cap (LD) with flange thread
 - End cap (AD) with threaded lug and swivel bearing
- DSNU--MQ:
 - Bearing cap (LD) with flange thread
 - End cap (AD) with air connection lateral to the cylinder axis
- CRDSNU version in stainless steel for improved corrosion protection

Innovative: PPS cushioning



The self-adapting pneumatic cushioning is a highly innovative type of cushioning which enables a dynamic yet gentle movement to the end position without manual intervention on the cylinder. This is achieved by venting the cushioning air in a controlled way via the longitudinal slots.

Standard Cylinders per ISO 6432

Type DSNUP Standard Cylinder

Aluminium Barrel with Polymer End Caps
ISO 6432



- Lightweight and corrosion resistant
- Suitable for mounting cylinder switches type SMx-8
- High quality and reliability

PGC: 305	Diameter (mm)	Width (mm)	Price
DSNUP-16-25-P-A	16	25	£34.05
DSNUP-16-50-P-A	16	50	£34.29
DSNUP-16-100-P-A	16	100	£34.91
DSNUP-20-25-P-A	20	25	£36.99
DSNUP-20-50-P-A	20	50	£37.49

PGC: 305	Diameter (mm)	Width (mm)	Price
DSNUP-20-100-P-A	20	100	£38.35
DSNUP-25-25-P-A	25	25	£39.33
DSNUP-25-50-P-A	25	50	£39.81
DSNUP-25-100-P-A	25	100	£40.80

Type DSNU Standard Cylinder

Elastomer Cushioning
ISO 6432



- Excellent running characteristics, service life and load-carrying ability
- Wide range of accessories
- Emergency cylinder assembly service available

PGC: 305	Diameter (mm)	Width (mm)	Thread	Price
DSNU-8-10-P-A	8	10	M5	£38.40
DSNU-8-25-P-A	8	25	M5	£38.55
DSNU-8-40-P-A	8	40	M5	£38.72
DSNU-8-50-P-A	8	50	M5	£38.83
DSNU-8-80-P-A	8	80	M5	£39.15
DSNU-8-100-P-A	8	100	M5	£39.38
DSNU-10-10-P-A	10	10	M5	£41.06
DSNU-10-25-P-A	10	25	M5	£41.24
DSNU-10-40-P-A	10	40	M5	£41.42
DSNU-10-50-P-A	10	50	M5	£41.55
DSNU-10-80-P-A	10	80	M5	£41.68
DSNU-10-100-P-A	10	100	M5	£42.14
DSNU-12-10P-A	12	10	M5	£43.75
DSNU-12-25-P-A	12	25	M5	£44.00
DSNU-12-40-P-A	12	40	M5	£44.24
DSNU-12-50-P-A	12	50	M5	£44.38
DSNU-12-80-P-A	12	80	M5	£44.86
DSNU-12-100-P-A	12	100	M5	£45.17
DSNU-12-125-P-A	12	125	M5	£45.57
DSNU-12-160-P-A	12	160	M5	£46.11
DSNU-12-200-P-A	12	200	M5	£46.73
DSNU-16-10-P-A	16	10	M5	£49.45
DSNU-16-25-P-A	16	25	M5	£49.73
DSNU-16-40-P-A	16	40	M5	£50.03
DSNU-16-50-P-A	16	50	M5	£50.22
DSNU-16-80-P-A	16	80	M5	£50.80
DSNU-16-100-P-A	16	100	M5	£51.18
DSNU-16-125-P-A	16	125	M5	£51.66

PGC: 305	Diameter (mm)	Width (mm)	Thread	Price
DSNU-16-160-P-A	16	160	M5	£52.33
DSNU-16-200-P-A	16	200	M5	£53.11
DSNU-20-10-P-A	20	10	G1/8	£53.84
DSNU-20-25-P-A	20	25	G1/8	£54.21
DSNU-20-40-P-A	20	40	G1/8	£54.59
DSNU-20-50-P-A	20	50	G1/8	£54.84
DSNU-20-80-P-A	20	80	G1/8	£55.60
DSNU-20-100-P-A	20	100	G1/8	£56.12
DSNU-20-125-P-A	20	125	G1/8	£56.74
DSNU-20-160-P-A	20	160	G1/8	£57.64
DSNU-20-200-P-A	20	200	G1/8	£58.65
DSNU-20-250-P-A	20	250	G1/8	£59.92
DSNU-20-300-P-A	20	300	G1/8	£61.18
DSNU-20-320-P-A	20	320	G1/8	£61.68
DSNU-25-10-P-A	25	10	G1/8	£57.11
DSNU-25-25-P-A	25	25	G1/8	£57.55
DSNU-25-40-P-A	25	40	G1/8	£57.99
DSNU-25-50-P-A	25	50	G1/8	£58.29
DSNU-25-80-P-A	25	80	G1/8	£59.14
DSNU-25-100-P-A	25	100	G1/8	£59.72
DSNU-25-125-P-A	25	125	G1/8	£60.43
DSNU-25-160-P-A	25	160	G1/8	£61.45
DSNU-25-200-P-A	25	200	G1/8	£62.60
DSNU-25-250-P-A	25	250	G1/8	£66.07
DSNU-25-300-P-A	25	300	G1/8	£65.50
DSNU-25-320-P-A	25	320	G1/8	£66.07
DSNU-25-400-P-A	25	400	G1/8	£68.39
DSNU-25-500-P-A	25	500	G1/8	£71.29

Type DSNU Standard Cylinder

Pneumatic Adjustable Cushioning
ISO 6432



- Excellent running characteristics, service life and load-carrying ability
- Wide range of accessories
- Emergency cylinder assembly service available

PGC: 305	Diameter (mm)	Width (mm)	Thread	Price
DSNU-16-10-PPV-A	16	10	M5	£56.92
DSNU-16-25-PPV-A	16	25	M5	£57.29
DSNU-16-40-PPV-A	16	40	M5	£57.48
DSNU-16-50-PPV-A	16	50	M5	£57.69
DSNU-16-80-PPV-A	16	80	M5	£58.26
DSNU-16-100-PPV-A	16	100	M5	£58.65
DSNU-16-125-PPV-A	16	125	M5	£59.11
DSNU-16-160-PPV-A	16	160	M5	£59.80
DSNU-16-200-PPV-A	16	200	M5	£60.56
DSNU-20-10-PPV-A	20	10	G1/8	£62.64
DSNU-20-25-PPV-A	20	25	G1/8	£63.01
DSNU-20-40-PPV-A	20	40	G1/8	£63.39
DSNU-20-50-PPV-A	20	50	G1/8	£63.64
DSNU-20-80-PPV-A	20	80	G1/8	£64.40
DSNU-20-100-PPV-A	20	100	G1/8	£64.90
DSNU-20-125-PPV-A	20	125	G1/8	£65.54
DSNU-20-150-PPV-A	20	150	G1/8	£66.17
DSNU-20-160-PPV-A	20	160	G1/8	£66.43

PGC: 305	Diameter (mm)	Width (mm)	Thread	Price
DSNU-20-200-PPV-A	20	200	G1/8	£67.44
DSNU-20-250-PPV-A	20	250	G1/8	£68.70
DSNU-20-300-PPV-A	20	300	G1/8	£69.95
DSNU-20-320-PPV-A	20	320	G1/8	£70.47
DSNU-25-10-PPV-A	25	10	G1/8	£67.01
DSNU-25-25-PPV-A	25	25	G1/8	£67.43
DSNU-25-40-PPV-A	25	40	G1/8	£67.86
DSNU-25-50-PPV-A	25	50	G1/8	£68.16
DSNU-25-80-PPV-A	25	80	G1/8	£69.02
DSNU-25-100-PPV-A	25	100	G1/8	£69.60
DSNU-25-125-PPV-A	25	125	G1/8	£70.32
DSNU-25-130-PPV-A	25	130	G1/8	£79.95
DSNU-25-160-PPV-A	25	160	G1/8	£71.33
DSNU-25-200-PPV-A	25	200	G1/8	£72.49
DSNU-25-250-PPV-A	25	250	G1/8	£73.93
DSNU-25-300-PPV-A	25	300	G1/8	£75.39
DSNU-25-320-PPV-A	25	320	G1/8	£75.96
DSNU-25-400-PPV-A	25	400	G1/8	£78.27
DSNU-25-500-PPV-A	25	500	G1/8	£81.16

Guide Units & Guided Cylinders

Type FENG Guide Unit



- Suitable for DNCB cylinders
- High-precision guiding
- Protects cylinders against torsion at high torque loads
- Recirculating ball bearing guide

PGC: 305	Diameter (mm)	Width (mm)	Price
FENG-32-50-KF	32	50	£386.57
FENG-32-100-KF	32	100	£383.95
FENG-32-160-KF	32	160	£402.84
FENG-32-200-KF	32	200	£408.76
FENG-32-250-KF	32	250	£416.15
FENG-32-320-KF	2	320	£426.50
FENG-32-400-KF	32	400	£438.36
FENG-32-500-KF	32	500	£453.15
FENG-40-50-KF	40	50	£503.88
FENG-40-100-KF	40	100	£513.23
FENG-40-160-KF	40	160	£524.47
FENG-40-200-KF	40	200	£531.95
FENG-40-250-KF	40	250	£541.31
FENG-40-320-KF	40	320	£554.41
FENG-40-400-KF	40	400	£569.37
FENG-40-500-KF	40	500	£588.11
FENG-50-50-KF	50	50	£574.10
FENG-50-100-KF	50	100	£587.07
FENG-50-160-KF	50	160	£602.62
FENG-50-200-KF	50	200	£612.99
FENG-50-250-KF	50	250	£625.96
FENG-50-320-KF	50	320	£644.11
FENG-50-400-KF	50	400	£664.85
FENG-50-500-KF	50	500	£690.78

PGC: 305	Diameter (mm)	Width (mm)	Price
FENG-63-50-KF	63	50	£616.31
FENG-63-100-KF	63	100	£628.91
FENG-63-160-KF	63	160	£644.03
FENG-63-200-KF	63	200	£654.11
FENG-63-250-KF	63	250	£666.69
FENG-63-320-KF	63	320	£684.34
FENG-63-400-KF	63	400	£704.50
FENG-63-500-KF	63	500	£750.86
FENG-80-50-KF	80	50	£910.21
FENG-80-100-KF	80	100	£904.33
FENG-80-160-KF	80	160	£928.08
FENG-80-200-KF	80	200	£971.29
FENG-80-250-KF	80	250	£963.70
FENG-80-320-KF	80	320	£991.40
FENG-80-400-KF	80	400	£1023.06
FENG-80-500-KF	80	500	£1062.65
FENG-100-50-KF	100	50	£1021.73
FENG-100-100-KF	100	100	£1071.72
FENG-100-160-KF	100	160	£1065.26
FENG-100-200-KF	100	200	£1081.09
FENG-100-250-KF	100	250	£1100.87
FENG-100-320-KF	100	320	£1128.58
FENG-100-400-KF	100	400	£1160.23
FENG-100-500-KF	100	500	£1199.83

Type DFM Guided Cylinder



- Drive and guide in a single housing
- Sturdy and accurate
- High resistance to torque and lateral forces
- Good protection against torsion
- Plain bearing guide offers high rigidity due to large diameter guide rods and for plain bearing bushes

PGC: 305	Diameter (mm)	Width (mm)	Price
DFM-12-10-P-A-GF	12	10	£180.17
DFM-12-20-P-A-GF	12	20	£184.05
DFM-12-25-P-A-GF	12	25	£186.01
DFM-12-30-P-A-GF	12	30	£187.94
DFM-12-40-P-A-GF	12	40	£191.83
DFM-12-50-P-A-GF	12	50	£195.72
DFM-12-80-P-A-GF	12	80	£207.39
DFM-12-100-P-A-GF	12	100	£215.17
DFM-16-10-P-A-GF	16	10	£208.71
DFM-16-20-P-A-GF	16	20	£213.99
DFM-16-25-P-A-GF	16	25	£215.59
DFM-16-30-P-A-GF	16	30	£217.99
DFM-16-40-P-A-GF	16	40	£222.78
DFM-16-50-P-A-GF	16	50	£227.58
DFM-16-80-P-A-GF	16	80	£241.97
DFM-16-100-P-A-GF	16	100	£251.53
DFM-20-20-P-A-GF	20	20	£251.61
DFM-20-25-P-A-GF	20	25	£254.40
DFM-20-30-P-A-GF	20	30	£257.18
DFM-20-40-P-A-GF	20	40	£262.76
DFM-20-50-P-A-GF	20	50	£268.33
DFM-20-80-P-A-GF	20	80	£285.01
DFM-20-100-P-A-GF	20	100	£296.21
DFM-25-20-P-A-GF	25	20	£277.45
DFM-25-25-P-A-GF	25	25	£280.79
DFM-25-30-P-A-GF	25	30	£284.15
DFM-25-40-P-A-GF	25	40	£290.84
DFM-25-50-P-A-GF	25	50	£297.54
DFM-25-80-P-A-GF	25	80	£317.62
DFM-25-100-P-A-GF	25	100	£331.01
DFM-32-20-P-A-GF	32	20	£317.50
DFM-32-25-P-A-GF	32	25	£322.53
DFM-32-30-P-A-GF	32	30	£327.55
DFM-32-40-P-A-GF	32	40	£337.58
DFM-32-50-P-A-GF	32	50	£347.64
DFM-32-80-P-A-GF	32	80	£377.76
DFM-32-100-P-A-GF	32	100	£397.86
DFM-32-125-P-A-GF	32	125	£422.96

PGC: 305	Diameter (mm)	Width (mm)	Price
DFM-32-160-P-A-GF	32	160	£458.10
DFM-32-200-P-A-GF	32	200	£498.27
DFM-40-25-P-A-GF	40	25	£355.45
DFM-40-50-P-A-GF	40	50	£382.43
DFM-40-80-P-A-GF	40	80	£414.80
DFM-40-100-P-A-GF	40	100	£436.38
DFM-40-125-P-A-GF	40	125	£463.35
DFM-40-160-P-A-GF	40	160	£501.10
DFM-40-200-P-A-GF	40	200	£544.26
DFM-50-25-P-A-GF	50	25	£390.49
DFM-50-50-P-A-GF	50	50	£420.24
DFM-50-80-P-A-GF	50	80	£455.93
DFM-50-100-P-A-GF	50	100	£479.73
DFM-50-125-P-A-GF	50	125	£509.47
DFM-50-160-P-A-GF	50	160	£551.10
DFM-50-200-P-A-GF	50	200	£598.70
DFM-63-25-P-A-GF	63	25	£432.22
DFM-63-50-P-A-GF	63	50	£462.99
DFM-63-80-P-A-GF	63	80	£499.91
DFM-63-100-P-A-GF	63	100	£524.53
DFM-63-125-P-A-GF	63	125	£555.29
DFM-63-160-P-A-GF	63	160	£598.36
DFM-63-200-P-A-GF	63	200	£647.57
DFM-80-25-P-A-GF	80	25	£571.28
DFM-80-50-P-A-GF	80	50	£619.64
DFM-80-80-P-A-GF	80	80	£677.65
DFM-80-100-P-A-GF	80	100	£716.32
DFM-80-125-P-A-GF	80	125	£764.67
DFM-80-160-P-A-GF	80	160	£832.36
DFM-80-200-P-A-GF	80	200	£909.70
DFM-100-25-P-A-GF	100	25	£721.96
DFM-100-50-P-A-GF	100	50	£763.22
DFM-100-80-P-A-GF	100	80	£856.74
DFM-100-100-P-A-GF	100	100	£905.75
DFM-100-125-P-A-GF	100	125	£966.99
DFM-100-160-P-A-GF	100	160	£1052.76
DFM-100-200-P-A-GF	100	200	£1150.78

FESTO

Cylinder Mountings

04

- Foot mountings for various drives
- Flange mountings for various drives
- Swivel mountings for various drives
- Clevis foot and trunnion supports for various drives
- Mounting kits
- Multi-position kits for standard, compact and short stroke cylinders for travel to as many as 4 positions

Foot Mountings

Foot Mounting – HNA



- For ADN and AEN compact cylinders and CLR linear-swivel clamp
- For cylinders with hole pattern per ISO 21287

PGC: 305	Diameter (mm)	Price
HNA-20	20	£5.90
HNA-25	25	£5.95
HNA-32	32	£9.76
HNA-40	40	£11.57
HNA-50	50	£12.41

Foot Mounting – HBN



- For cylinders ESNU, DSNU, ESN, DSN, EGZ, DGO and sensors
- For standard cylinders per ISO 6432 and round cylinders

PGC: 305	Diameter (mm)	Price
HBN-8/10X2	8/10	£3.67
HBN-12/16X2	12/16	£4.51
HBN-20/25X2	20/25	£6.03

Foot Mounting – HNC



- For cylinders DNC, ADVC, AEVC, ADN, AEN, ADNP
- For cylinders with hole pattern per VDMA 24562

PGC: 305	Diameter (mm)	Price
HNC-32	32	£11.62
HNC-40	40	£12.41
HNC-50	50	£14.57
HNC-63	63	£16.62
HNC-80	80	£24.07
HNC-100	100	£28.77

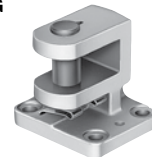
Clevis Foot – LBN



- Allows swivel mounting of cylinders ESN, DSN, ESNU, DSNU, ADVU, AEVU
- Cylinder – swivel flange – clevis foot combination adapted to each cylinder
- With spherical bearings for compensation of angle deviations
- Corrosion and acid-resistant stainless steel design

PGC: 305	Diameter (mm)	Price
LBN-8/10	8/10	£6.03
LBN-12/16	12/16	£6.75
LBN-20/25	20/25	£7.48

Right Angle Clevis Foot – LQG



PGC: 305	Diameter (mm)	Price
LQG-32	32	£68.70
LQG-40	40	£72.14
LQG-50	50	£93.89
LQG-63	63	£96.47
LQG-80	80	£107.30
LQG-100	100	£118.98

Trunnion Mountings

Trunnion Support – LNZZ



PGC: 305	Diameter (mm)	Price
LNZZ-32	32	£37.73
LNZZ-40/50	40/50	£45.97
LNZZ-63/80	63/80	£52.84
LNZZ100/125	100/125	£76.81

Trunnion Mounting Kit – ZNCM



- For swivel mounting of cylinders DNC
- For standard cylinders DNC
- Suitable trunnion mounting LNZZ

PGC: 305	Diameter (mm)	Price
ZNCM-32	32	£56.21
ZNCM-40	40	£64.53
ZNCM-50	50	£74.53
ZNCM-63	63	£82.84
ZNCM-80	80	£92.34
ZNCM-100	100	£120.90

Flange Mountings

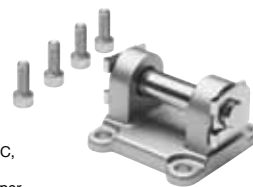
Swivel Flange – SNCL



- For ADN and AEN compact cylinders
- For cylinders with hole pattern per ISO 21287

PGC: 305	Diameter (mm)	Price
SNCL-20	20	£15.67
SNCL-25	25	£16.86
SNCL-32	32	£17.32
SNCL-40	40	£18.20
SNCL-50	50	£22.99
SNCL-63	63	£28.42
SNCL-80	80	£36.49
SNCL-100	100	£51.78

Swivel Flange – SNCB



- For cylinders DNC, ADVC, AEVC, ADN, AEN, ADNP
- For cylinders with hole pattern per VDMA 24562
- Suitable clevis foot LNG/LSN/CRLNG

PGC: 305	Diameter (mm)	Price
SNCB-32	32	£17.32
SNCB-40	40	£18.20
SNCB-50	50	£22.99
SNCB-63	63	£28.42
SNCB-80	80	£36.49
SNCB-100	100	£51.78

Flange Mounting – FBN



- For cylinders ESN, ESNU, DSNU, EGZ
- For standard cylinders per ISO 6432 and round cylinders

PGC: 305	Diameter (mm)	Price
FBN-8/10	8/10	£1.82
FBN-12/16	12/16	£1.86
FBN-20/25	20/25	£1.99

Flange Mounting – FNC



- For ADN and AEN compact cylinders, and CLR linear-swivel clamp
- For cylinders with hole pattern per ISO 21287

PGC: 305	Diameter (mm)	Price
FNC-20	20	£15.06
FNC-25	25	£15.88
FNC-32	32	£16.98
FNC-40	40	£17.71
FNC-50	50	£21.19
FNC-63	63	£27.44
FNC-80	80	£31.55
FNC-100	100	£41.18

Trunnion Flange – ZNCF

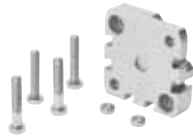


- For cylinders DNC, AEVC, ADVC
- For cylinders with hole pattern per VDMA 24562
- Suitable trunnion mounting LNZZ

PGC: 305	Diameter (mm)	Price
ZNCF-32	32	£48.77
ZNCF-40	40	£53.34
ZNCF-50	50	£60.20
ZNCF-63	63	£67.55
ZNCF-80	80	£101.62
ZNCF-100	100	£122.70

Multi-Position Kits

Multi-Position Kit – DPNA



- For ADN standard compact cylinders
- For mounting 3- and 4-position cylinders, consisting of 2 standard ADN cylinders each

PGC: 305	Diameter (mm)	Price
DPNA-20	20	£24.57
DPNA-25	25	£27.81
DPNA-32	32	£30.58
DPNA-40	40	£34.68
DPNA-50	50	£38.89

Multi Position Kit – DPNC



- For assembly of 3- and 4-position cylinders, each consisting of 2 standard type DNC cylinders

PGC: 305	Diameter (mm)	Price
DPNC-32	32	£37.69
DPNC-40	40	£42.27
DPNC-50	50	£48.29
DPNC-63	63	£55.98
DPNC-80	80	£65.98
DPNC-100	100	£78.02

Swivel Mountings

Swivel Mounting – SBN



PGC: 305	Diameter (mm)	Price
SBN-20/25	20/25	£13.98

Swivel Mounting – WBN



- Swivel mounting for cylinders EGZ, EGN, DSN, ESNU, DSNU
- For standard cylinders per ISO 6432 and round cylinders

PGC: 305	Diameter (mm)	Price
WBN-8/10	8/10	£14.57
WBN-12/16	12/16	£14.94
WBN-20/25	20/25	£15.30

Piston Rod Attachments

Rod Clevis – SG



- With hexagonal nut, for swivelling cylinder mounting (piston rod side) as per DIN ISO 8140

PGC: 305	Diameter (mm)	Rod Thread	Price
SG-M4	8/10	M4	£3.50
SG-M6	12/16	M6	£3.50
SG-M8	20	M8	£3.86
SG-M10X1.25	25/32	M10 x 1.25	£5.84
SG-M12X1.25	40	M12 x 1.25	£8.24
SG-M16X1.5	50/63	M16 x 1.5	£14.49
SG-M20X1.5	80/100	M20 x 1.5	£38.83

Rod Eye – SGA



- For use with SGS rod eye

PGC: 305	Diameter (mm)	Rod Thread	Price
SGA-M10X1.25	25/32	M10 x 1.25	£61.45
SGA-M12X1.25	40	M12 x 1.25	£74.36
SGA-M16X1.5	50/63	M16 x 1.5	£81.48
SGA-M20X1.5	80/100	M20 x 1.5	£116.28

Rod Eye – SGS



- With hexagonal nut, for spherical swivelling cylinder mounting (piston rod side) as per DIN ISO 8139

PGC: 305	Diameter (mm)	Rod Thread	Price
SGS-M4	8/10	M4	£13.14
SGS-M6	12/16	M6	£14.13
SGS-M8	20	M8	£15.48
SGS-M10X1.25	25/32	M10 x 1.25	£22.61
SGS-M12X1.25	40	M12 x 1.25	£28.51
SGS-M16X1.5	50/63	M16 x 1.5	£44.98
SGS-M20X1.5	80/100	M20 x 1.5	£55.92

Self-Aligning Rod Coupler – FK



- Compensates for angular and radial misalignment, for fitting on piston rod side

PGC: 305	Diameter (mm)	Price
FK-M4	8/10	£15.48
FK-M6	12/16	£15.61
FK-M8	20	£18.44
FK-M10X1.25	25/32	£24.71
FK-M12X1.25	40	£24.96
FK-M16X1.5	50/63	£58.86
FK-M20X1.5	80/100	£64.52

FESTO

PROCESS RANGE

04

NOW AVAILABLE